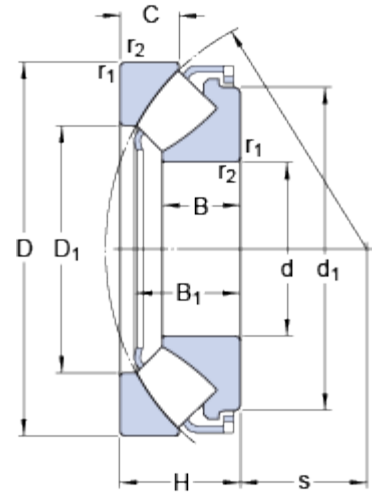


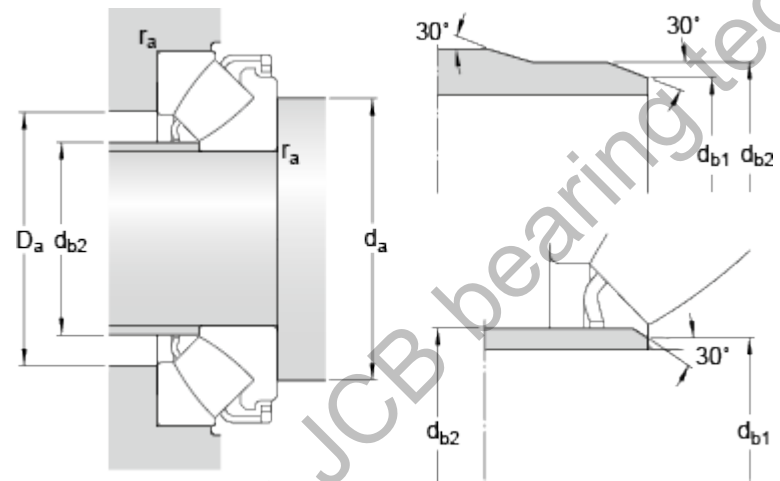
29412 E

Dimensions



| | | |
|------------------|----------|----|
| d | 60 | mm |
| D | 130 | mm |
| H | 42 | mm |
| d ₁ | ≈ 112 | mm |
| D ₁ | ≈ 85.5 | mm |
| B | 27 | mm |
| B ₁ | 36.7 | mm |
| C | 21 | mm |
| s | 38 | mm |
| r _{1,2} | min. 1.5 | mm |

Abutment dimensions



| | | |
|-----------------|----------|----|
| d _a | min. 90 | mm |
| d _{b1} | max. 67 | mm |
| d _{b2} | max. 67 | mm |
| D _a | max. 107 | mm |
| r _a | max. 1.5 | mm |

Calculation data

| | | | |
|---------------------------|----------------|------|-------|
| Basic dynamic load rating | C | 390 | kN |
| Basic static load rating | C ₀ | 915 | kN |
| Fatigue load limit | P _u | 114 | kN |
| Reference speed | | 2800 | r/min |
| Limiting speed | | 5000 | r/min |
| Minimum axial load factor | A | 0.08 | |

Mass

| | | | |
|--------------|--|-----|----|
| Mass bearing | | 2.6 | kg |
|--------------|--|-----|----|